

# Z5000



small character

- ▶ Excellent print quality and high resolution
- ▶ Up to 5 lines with height range from 0.8 to 14 mm
  - ▶ Visible double flushing with solvent recycling
- ▶ Reduced consumption thanks to innovative vapour condenser
- ▶ Advanced Hydraulic system with high efficiency and reliability
- ▶ High degree of IP65 protection for use in all arduous industrial environments



## technical features

# Z5000

### printing characteristics

Up to 5 lines of print  
Characters height from 0.8 to 14 mm (0,032" - 0,56")  
Line speed capability: up to 300 mt/min (984 ft/min)  
Print rate: up to 2136 ct/sec  
250 messages storage  
Up to 250 characters storage per message  
Selectable lines vertical gap  
Font Matrix: 5x5, 7x5, 9x7, 15x10, 16x10, 24x16 and 32x18  
Bold factor up to 8 times  
Simple Logo creation and printing  
50 Logos storage  
Automatic calendar and expiration date print  
Incrementing/decreasing product counters up to 9 digits  
Repeat print – message function  
Printing in all moving directions  
Tower print function (Text rotation of 90°)  
DIN print for cables sector  
Negative print function  
Print throw distance up to 90 mm (3,54")

### bar codes

2/5 Industrial • UPC-A • CODE 39 • EAN 13 • CODE 128 (A,B,C)  
• EAN 128 (A,B,C) • 2D – Datamatrix • ITF (A,B,C)

### control unit characteristics

Membrane keyboard solvent resistant  
Blue WYSIWYG Display with high contrast 240x128 pixels  
Stainless Steel structure AISI 304  
Protection IP65  
Conduit length: 4mt (13,1ft)

### general features

Single Start/Stop button  
Automatic cleaning in both Start up and Shut down  
Vapour recovery system for low make up consumption  
Print parameters stored within each message  
Keypad access with password  
Operator selectable foreign language prompts  
Report function for executed printing counter  
Messages storage with 8 digits alphanumeric text

### printing head

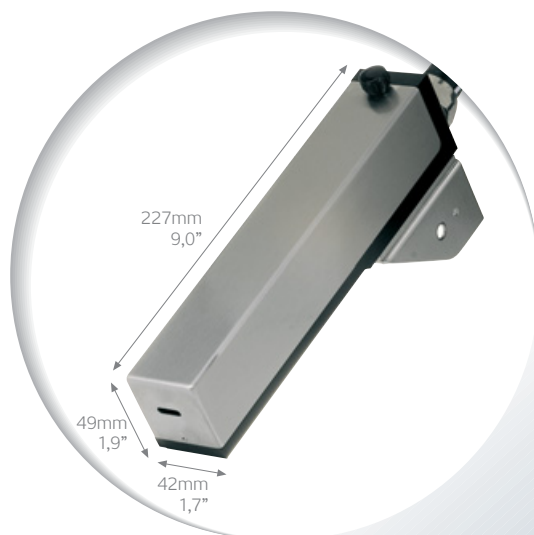
Micro Print Nozzle for high quality resolution print (optional)  
Hermetically sealed printhead components  
Auto-phasing of ink stream for consistent print quality  
Dimensions: 227mm x 42 mm x 49 mm (9,0" x 1,7" x 1,9")  
Conduit inlet at 90° (optional)  
Internal Supply Positive Air Function

### external connections

Serial connection RS232 and RS485/422  
Sensor management for product reading  
System ready output  
Shaft Encoder input for variable speed production lines  
External alarm outputs with traffic light column  
Parallel interface BCD

### environment/electrical requirements

Temperature: from 5° to 45°C (40° - 113°F)  
Humidity: 10 - 90% (non-condensing)  
Single Phase, 85 - 240Vac, 50 - 60Hz, 200VA



#### Zanasi S.r.l.

41049 Sassuolo (MO) Italy  
Via Marche, 10  
Tel. +39 0536 999711  
Fax +39 0536 999765  
www.zanasi.it - info@zanasi.it

#### Zanasi - Filiale di Milano

20016 Pero (MI) Italy  
Via Newton, 9  
Tel. 02 3536593  
Fax 02 3539942  
filiale milano@zanasi.it

#### Zanasi USA

Brooklin Park, Minneapolis MN 55428 - USA  
8601 73rd Avenue North, Suite 38  
Tel. +1 763 5931907  
Fax +1 763 5931941  
www.zanasiusa.com - info@zanasiusa.com

#### Zanasi (Guangzhou) Co. Ltd

Zhongcun KaifaQu A Qu, Panyu  
511495 Guangzhou, China  
Tel. +86 20 61962001  
Fax +86 20 23833211  
www.zanasicina.com - info@zanasicina.com

 **ZANASI**<sup>®</sup>  
INDUSTRIAL INK-JET PRINTING SYSTEMS